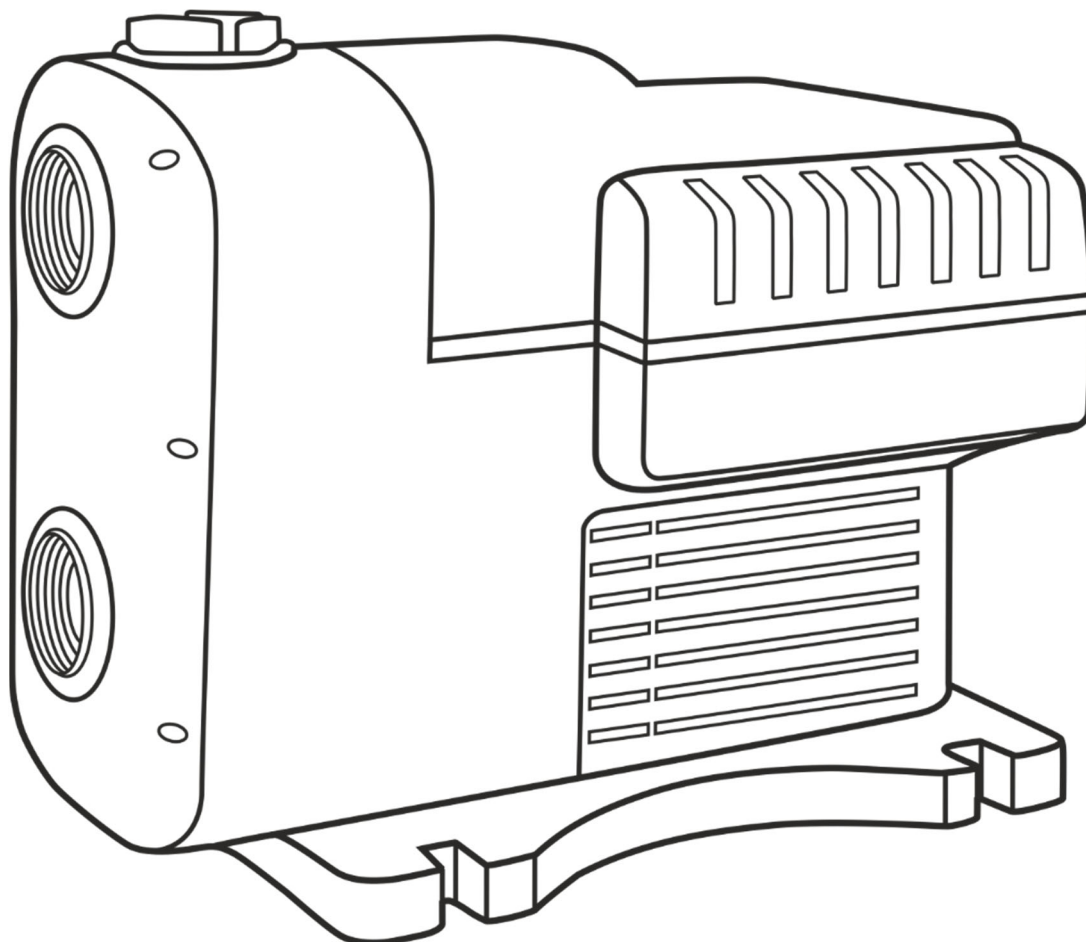


A&P

Water supply station DEFENDER series
Автоматическая насосная станция серии
DEFENDER



EAC

Content

ENG - USER MANUAL	3
1. GENERAL INFORMATION	3
2. TECHNICAL SPECIFICATIONS	4
3. PRODUCT DIMENSIONS	6
4. COMPLETE SET.....	7
5. SAFETY REQUIREMENTS.....	7
6. INSTALLATION	8
7. COMMISSIONING	10
7.1 CONTROL PANEL DESIGNATIONS OF DEFENDER I & II.....	11
7.2 OPERATION DEFENDER I & II	11
7.3 CONTROL PANEL DESIGNATIONS OF DEFENDER III & IV	12
7.4 ЭКСПЛУАТАЦИЯ DEFENDER III & IV	13
8. POSSIBLE ERRORS AND SOLUTIONS.....	13
9. STORAGE AND TRANSPORTATION REGULATIONS.....	15
10. ADDITIONAL INFORMATION	15
11. WARRANTY OBLIGATIONS	15
12. CERTIFICATE OF SALE	16
RUS -РУКОВОДСТВО ПО ЭКСПЛУАТАЦИИ	17
1. ОБЩИЕ СВЕДЕНИЯ	17
2. ТЕХНИЧЕСКИЕ ХАРАКТЕРИСТИКИ.....	18
3. РАЗМЕРЫ ИЗДЕЛИЙ	20
4. КОМПЛЕКТНОСТЬ.....	21
5. ТРЕБОВАНИЯ БЕЗОПАСНОСТИ	21
6. МОНТАЖ	22
7 ВВОД В ЭКСПЛУАТАЦИЮ.....	24
7.1 ОБОЗНАЧЕНИЯ ПАНЕЛИ УПРАВЛЕНИЯ DEFENDER I & II.....	25
7.2 ЭКСПЛУАТАЦИЯ DEFENDER I & II	25
7.3 ОБОЗНАЧЕНИЯ ПАНЕЛИ УПРАВЛЕНИЯ DEFENDER III & IV	26
7.4 ЭКСПЛУАТАЦИЯ DEFENDER III & IV	27
8 ВОЗМОЖНЫЕ НЕИСПРАВНОСТИ И МЕТОДЫ ИХ УСТРАНЕНИЯ	27
9. ПРАВИЛА ХРАНЕНИЯ И ТРАНСПОРТИРОВКИ.....	29
10. ДОПОЛНИТЕЛЬНАЯ ИНФОРМАЦИЯ.....	29
11. ГАРАНТИЙНЫЕ ОБЯЗАТЕЛЬСТВА.....	30
12. СВИДЕТЕЛЬСТВО О ПРОДАЖЕ	31

USER MANUAL

Dear customer! Congratulations on your purchase of an A&P water supply station. This pump has been manufactured from high quality materials and parts using the latest technology in accordance with international standards to ensure safe use and reliable operation.

This manual contains fundamental instructions that must be followed during installation, operation and maintenance.

In order to avoid accidents and breakdowns, this manual must be read carefully before using the product. Failure to observe the safety instructions in this manual may cause damage to the pump or injury to persons. All installation, inspection and maintenance work on the pump must only be carried out by authorised and qualified personnel. All installation and maintenance work should only be carried out after the pump has been stopped and disconnected from the mains supply. Safety instructions which, if not observed, may result in danger to persons, damage to the equipment and impairment of its function.

1. GENERAL INFORMATION

DEFENDER series water supply stations are a pump with permanent magnet frequency converter and are designed for water supply of flats and private houses.

DEFENDER water stations consist of an electric motor, sealing seat, guiding device, impeller, inlet and outlet part, pump shaft, mechanical seal and other main components. The main parts of the pump, such as the guide device, impeller, inlet and outlet parts are made of high quality plastic, the pump shaft is made of stainless steel. The shaft seal is one-way mechanical. The principle of operation of the pumping station is based on increasing the pressure of the liquid moving from the inlet to the outlet. Transmission of electromagnetic energy from the stator windings of the electric motor to its rotor leads to rotation of the impeller connected through the shaft to the rotor. The liquid flows from the pump inlet to the centre of the impeller and then along the impeller vanes. Under the action of centrifugal forces, the velocity of the liquid increases, resulting in an increase in kinetic energy, which is converted into pressure at the outlet. The pump casing is designed in such a way that the liquid is collected from the impeller towards the pump outlet. The pump station maintains a constant pressure at variable flow rates thanks to the integrated frequency converter and pressure sensor. If the required system pressure differs from the current pressure, the sensor signals the intelligent control unit so that the frequency converter adapts the shaft speed to the required operating conditions.

Operating liquids: clean water.

Total hardness of pumped liquid: not more than 3.0 mg-eq/l;

pH - within the range of 6.5-8.5.

Maximum number of starts per hour - 100.

Date of manufacture information

The date of manufacture can be found on the nameplate of the equipment.

Explanations for determining the date of manufacture:

Example: YYmmDDsssssssss = 250101080810001

YY = year of manufacture

mm = month of manufacture

DD = calendar day of manufacture

sssssssss = serial number

No	Name	Material
1	Pump casing	PPE+PS+GF30
2	Control panel	Acrylic
3	Pressure connection	PPE+PS+GF30
4	Suction connection	PPE+PS+GF30
5	Filling plug with non-return valve	PPE+PS+GF30
6	Drain plug	sus 304
7	Impeller material	PA66+3%0 GF

2. TECHNICAL SPECIFICATIONS

Characteristics	DEFENDER I	DEFENDER II	DEFENDER III	DEFENDER IV
Item number	AP118D001	AP118D002	AP118D003	AP118D004
Power, (W)	100-550	100-750	100-550	500-1100
Rated voltage, V	230			
Frequency, Hz	50			
Max. current, A	3,8	5,4	5,2	8,6
Max. head, m	42	45	45	53
Rated head, m	30	30	30	30
Max. flow rate, m3/hour	4,5	5,5	5	6
Rated flow rate, m3/h	2	3	3	4
Max. suction height, m*	2	2	8,5	8,5
Max. working pressure, bar	4,2	4,5	4,5	5,3
Noise level, dB	49			
Shaft speed range, rpm	4800	4800	5200	3300
Number of impellers, pcs	4			
Connection, inch (inlet/outlet)	1"			

Кривые Напора/Расхода представлены на Рисунках 1 и 2:

WARNING: If the filter is installed on the suction pipe, the maximum suction depth may be reduced because the hydraulic resistance of the filter will increase during the clogging process.

Electric motor:

- Cooling by inbuilt fan,
- 2-pole IE4 with permanent magnets,
- Dust and moisture protection IP44, insulation class F.
- Insulation class F.

Media characteristics:

- - Liquid temperature: 2 to +70°C,
- - Ambient temperature: 0 to +40°C,
- - pH 6,5 ... 8,5,
- - Clean water, solid particle volume less than 0.1 %, size less than 0.2 mm;

The head/flow curves are shown in Figures 1 and 2:

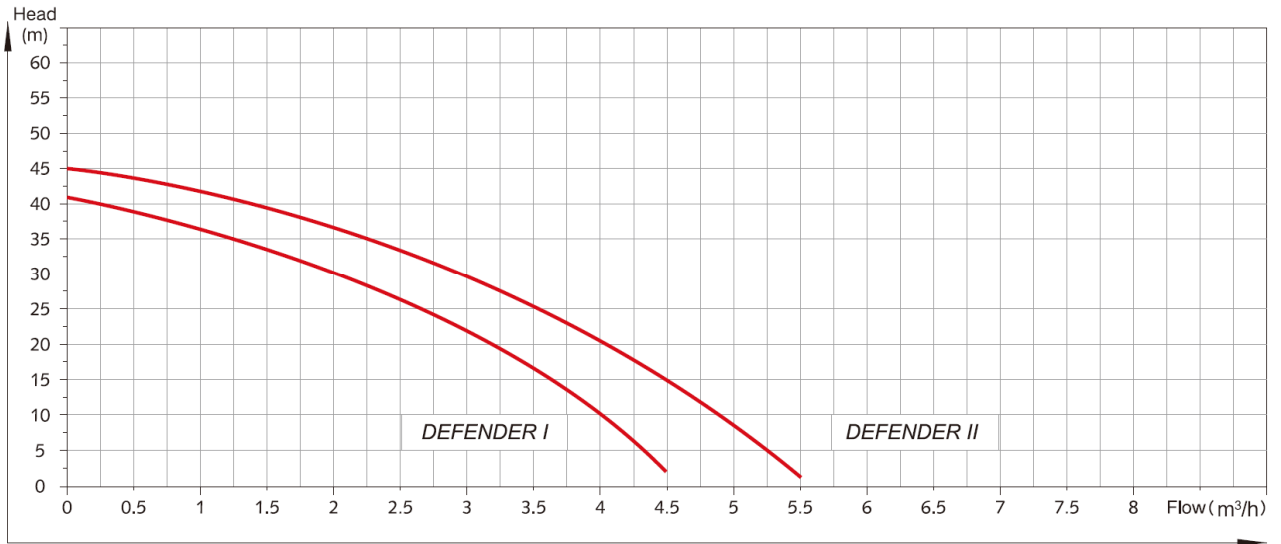


Figure 1

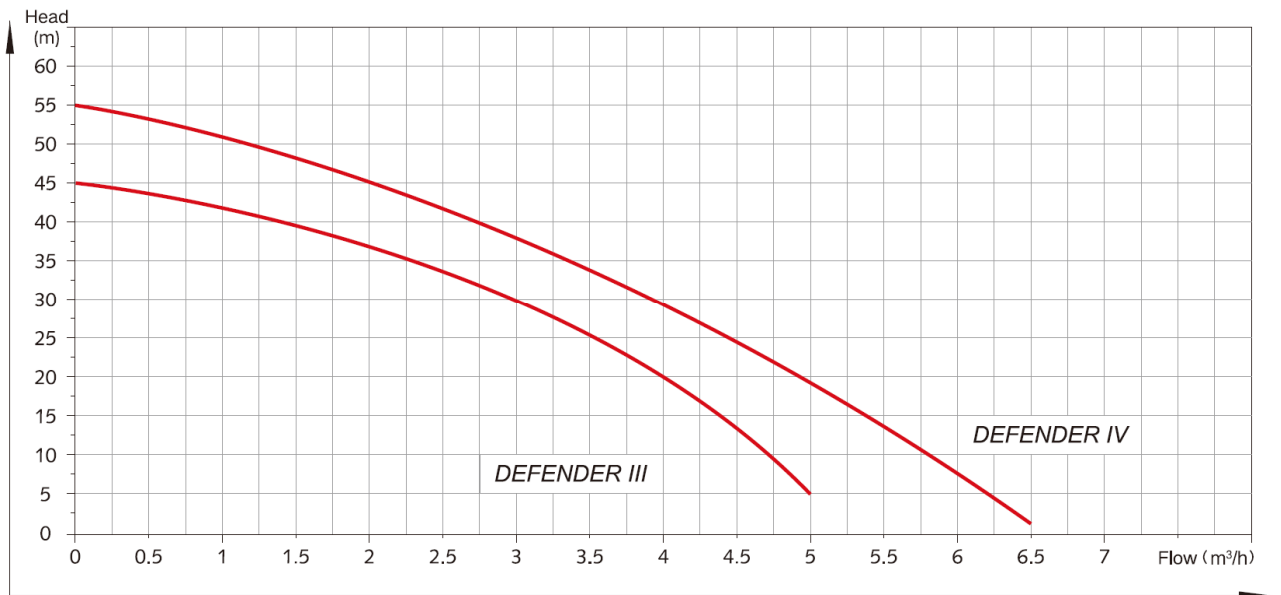


Figure 2

3. PRODUCT DIMENSIONS

Model	N	E	L1	L2	L	H	M	P	R	S	Figure
DEFENDER I	71	102	170	230	283	219	104	160	172	45	Figure 3
DEFENDER II	71	102	170	230	283	219	104	160	172	45	Figure 3

Dimensions are given in millimetres.

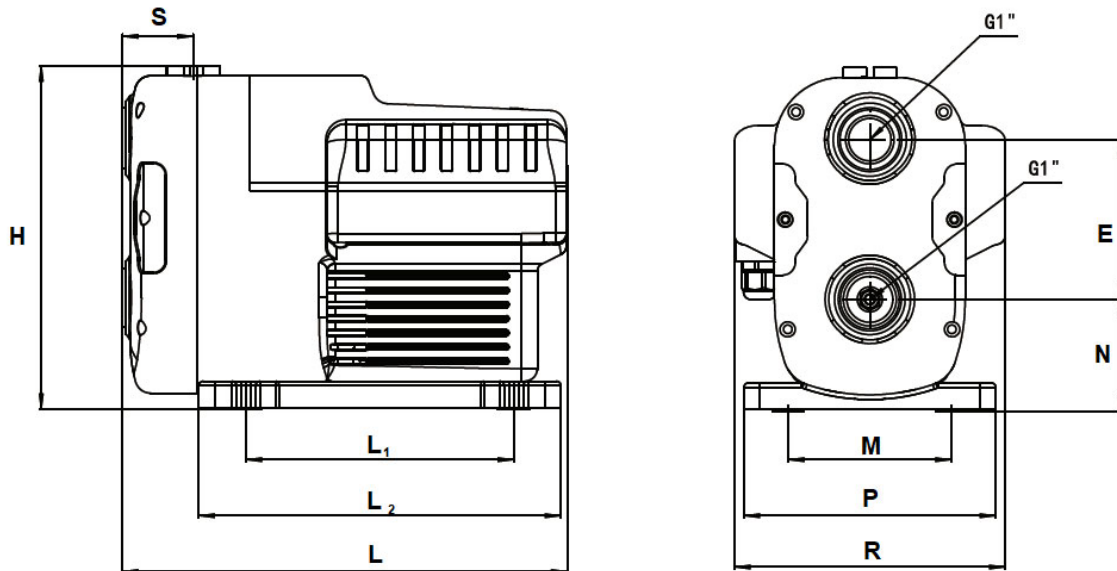


Figure 3

Model	N	E	L1	L2	L3	L	H	M	P	Figure
DEFENDER III	130	244	170	38	256	380	311	170	188	Figure 4
DEFENDER IV	127	291	178	62	285	449	358	236	263	Figure 4

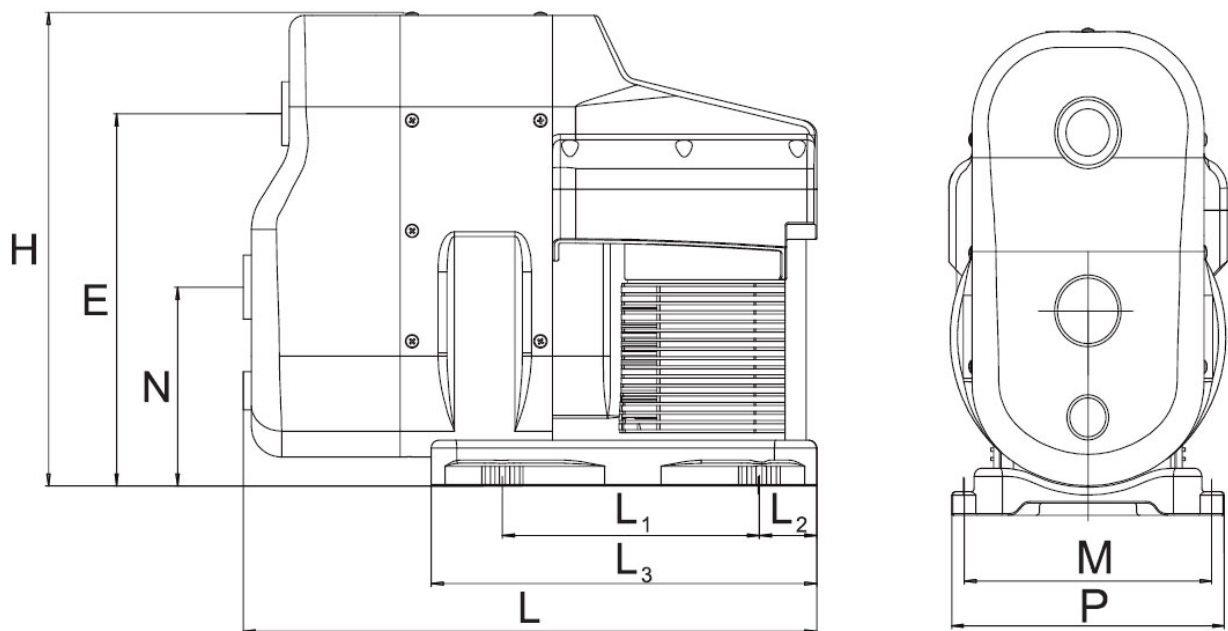


Figure 4

4. COMPLETE SET

- | | |
|---------------------------|----------|
| 1. Pump | - 1 pc.; |
| 2. Fittings | - 1 set |
| 3. Manual. | - 1 pc.; |
| 4. Packaging | - 1 pc.; |
| 5. Cable with plug, 1.5 m | - 1 pc.; |

Note: the manufacturer reserves the right to make design changes that do not impair the quality and performance of the product.

5. SAFETY REQUIREMENTS

WARNING! This appliance is not intended for use by persons (as well as young children) with reduced physical or mental capacity or lack of experience and knowledge, unless they are directly supervised by authorised supervisory personnel or by a person responsible for their safety, who will give them the necessary instructions on how to use the appliance. Young children must be supervised by authorised personnel to ensure that they do not play with the appliance.

WARNING! The pump of protection class 1 must only be connected to an electrical network that is **EARTH-CONNECTED**.

WARNING! Check the insulation integrity of the electrical cable before starting work. If the power cord is damaged, it must be replaced with a special cord or kit provided by the manufacturer or service.

CAUTION Installation, maintenance and repair should only be carried out by a qualified technician in accordance with the requirements of these instructions for use.

CAUTION: If any malfunction occurs, the pump must be disconnected from the mains supply and a specialist must be called in to rectify the problem.

WARNING: In case of any malfunctioning of the pump, disconnect it from the power supply and call a specialist to rectify the problem.

DO NOT! Do not operate the pump while it is connected to the mains (Figure 5).



Figure 5

DO NOT! Use adapters, extension cords and temporarily installed power lines for connection.

DO NOT! Install the pump in rooms saturated with aggressive vapours, with sharp temperature and humidity variations, as well as in dusty and dirty rooms.

The manufacturer cannot be held liable for damage to health and property caused by improper installation and operation.

6. INSTALLATION

WARNING: This water supply station is not intended for installation on an Abyssinian well and the manufacturer does not guarantee stable and correct operation of the pump when installed on this well. Incorrect operation or failure of this pump unit, which was installed on an Abyssinian well, is not a warranty case.

WARNING: Make sure that the system in which the DEFENDER water station is installed is designed for the maximum pressure of this pump unit. The maximum inlet pressure depends on the head at the actual operating point. The sum of the inlet pressure and the head must not exceed the maximum system pressure. To protect the pump unit, it is recommended to install a safety valve to ensure that the outlet pressure of the pump unit does not exceed the maximum system pressure.

Before installing the pump, the piping system should be checked to ensure that a check valve is installed to prevent backflow of liquid. The pump must be secured to the floor and stable after installation.

DO NOT! Install the water station partially or completely in water. When installing the pump outdoors, make sure the pump is sheltered from sunlight, rain (Figure 6).

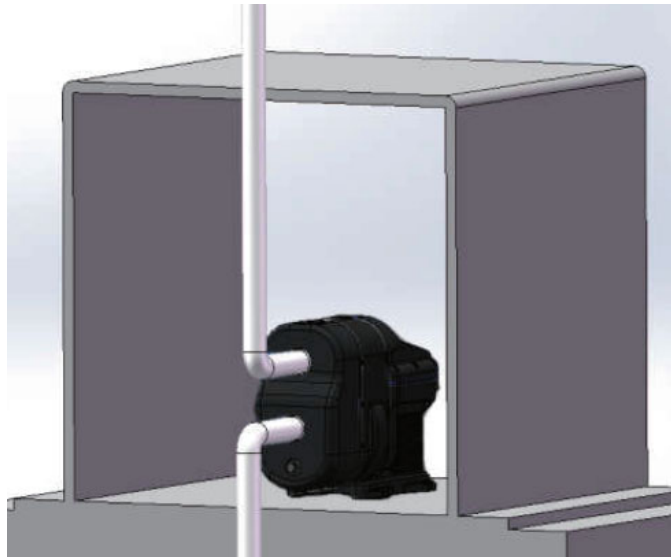


Figure 6

The pump should be installed in a well-ventilated and frost-free location so that there is sufficient air around the motor cooling fan, pump and motor at least 25 mm away from obstructions. To minimise inlet friction losses, the inlet connection should be as short as possible.

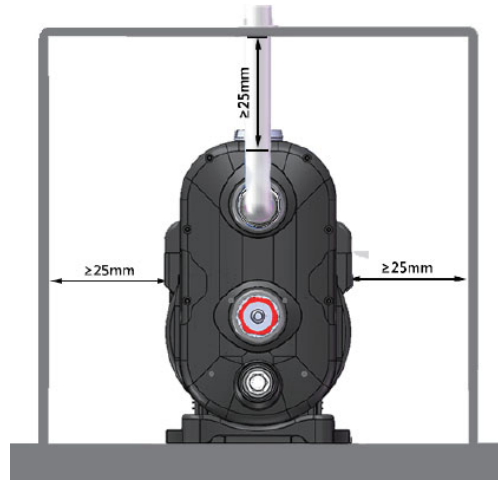


Figure 7

The inlet water pressure should be between 0.12 and 0.35 MPa. Before turning, the outlet pipe should be 600 mm higher than the inlet pipe and the length of the inlet pipe should not exceed the maximum suction range of the pump (Figure 8).

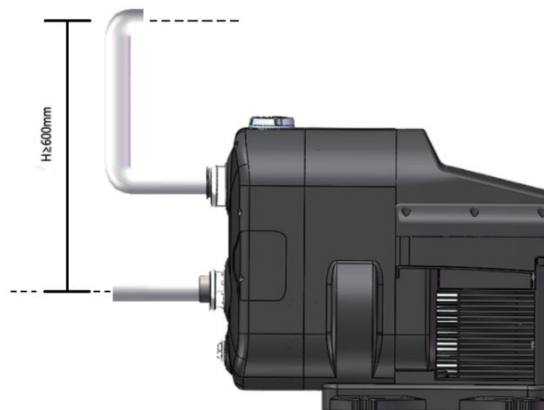


Figure 8

WARNING: To increase the pressure of the tap water, a pressure reducing valve must be installed on the suction pipe to protect against overpressure at the inlet, so that, together with the maximum head of the water supply system, the pressure at the pump outlet does not exceed the maximum permissible pressure of 10 bar. A safety valve must be installed on the pressure connection to protect the pump in case of over-pressurisation.

Take care not to bear the weight of the pipework on the pump to avoid deformation of the pump. Before installing the pump, the inlet pipes must be clean, if there is no guarantee that there are no solid particles in the pipe, it is necessary to install a filter screen in front of the inlet at a distance of 0,5...1 m to ensure the normal operation of the pump. When installing the inlet pipe, do not allow an air sac to form.

When the pump is installed above the liquid level (within the permissible suction height range), a lower valve must be installed on the suction side of the suction pipe and a priming screw hole must be installed on the discharge pipe for priming before starting the pump.

Check that the mains voltage and frequency correspond to the values indicated on the product label. A mismatch in the power supply can completely destroy the motor. To avoid personal injury and electric shock, all electrical connection work, including grounding, must be carried out with the pump cold (not exceeding +40°C) and the power supply disconnected. The connection wires must be rated for the rated power and fitted with appropriate fuses, the pump connection to the mains must be made to a protected socket. Станция оборудован кабелем с вилкой и заземлением.

If the factory cable length is not sufficient for you, please use only three-core copper cable with the cross section and fuse specified in the table below:

Pump cable length	0-50 meters	50-100 meters	100-150 meters
Cable cross-section	1,5 mm ²	2,0 mm ²	2,5 mm ²
Fuse	10A	15A	18A

The electrical connection must be made via a plug connection or a multi-pole switch-disconnector with a minimum contact spacing of 3 mm.

The plug socket must be:

- fixed;
- have an earth contact;
- only used to power the pump;
- protected against moisture penetration.

Before connection, check the voltage in the mains supply and monitor it during further operation of the pump.

7. COMMISSIONING

Before starting the water station, bleed the air out of the housing and fill it with water through the fill port on top of the pump. Screw the cover back on tightly (Figure 9).

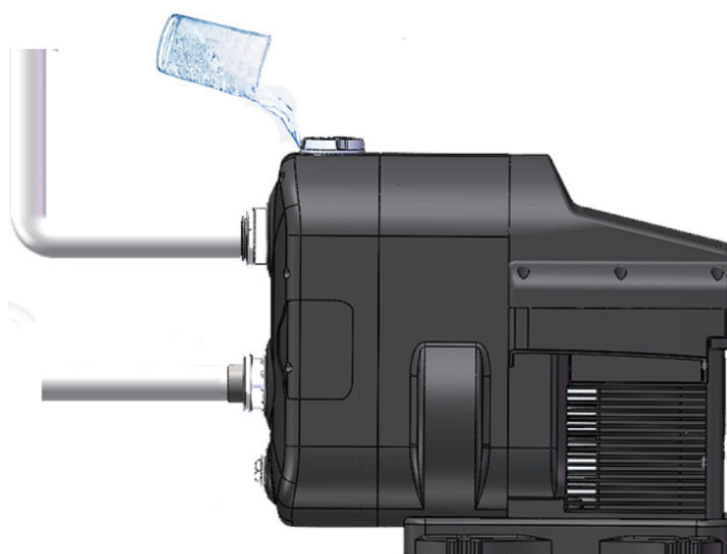










Figure 9

7.1 CONTROL PANEL DESIGNATIONS OF DEFENDER I & II

Display symbol	Designations	Display symbol	Designations
	Operation indicator		Voltage protection indicator
	Motor error indicator		Leakage indicator
	Water shortage indicator		Output pressure error indicator
	Power button		Buttons for setting

The following indicators are displayed on the screen (Figure 10):

1. Set pressure, Bar;
2. Actual pressure, Bar.

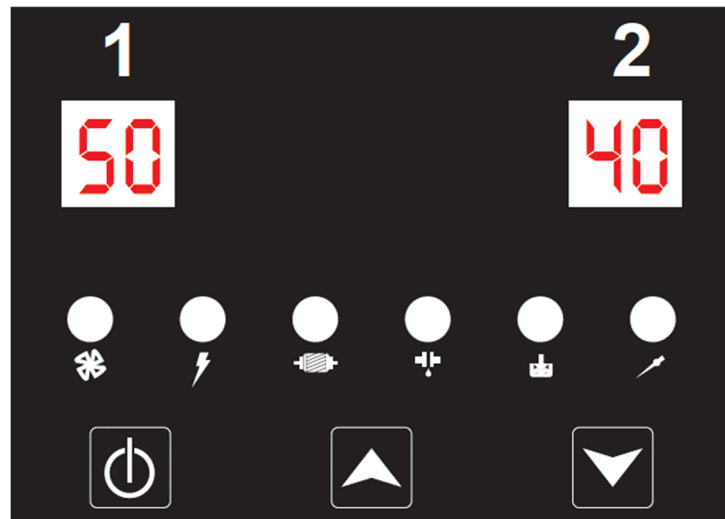


Figure 10

7.2 OPERATION DEFENDER I & II

Press the power button to switch the water station on/off. The scoreboard and the operation indicator will illuminate. If the water station is switched on and the current pressure is less than the set pressure, the station will start to operate.

To set (increase/decrease) the operating pressure, use the buttons to adjust. After selecting the desired pressure, wait 5 seconds. The value will be set.

Press the power button and the adjustment buttons (up) simultaneously for 3 seconds to reset to factory settings.

Press the setting buttons simultaneously to lock or unlock the pump. The settings cannot be changed in this mode, preventing accidental changes to the operating parameters.

7.3 CONTROL PANEL DESIGNATIONS OF DEFENDER III & IV

Display symbol	Designations	Display symbol	Designations
	Output pressure error indicator		Voltage protection indicator
	Leakage indicator		Temperature protection indicator
	Water shortage indicator		Operating mode indicator
	Audible notification status indicator		WIFI connection is not available on these models.
	Power button		Operation indicator Off / On
	Buttons for setting		Button for adjusting the operating speed
	Lock indicator		

The following indicators are displayed on the screen (Рисунок 11):

1. Current power, W;
2. Current temperature, °C / shaft speed, rpm / voltage V;
3. Set pressure, Bar;
4. Current pressure, Bar.

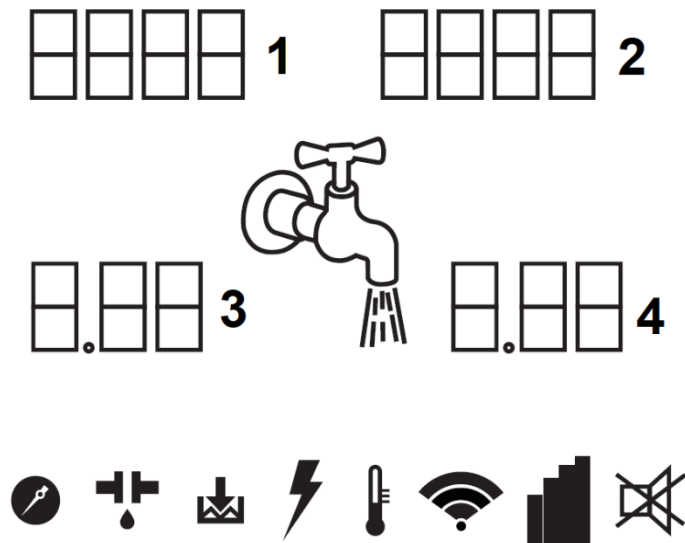


Figure 11

7.4 ЭКСПЛУАТАЦИЯ DEFENDER III & IV

Press the power button to switch the water station on/off. The scoreboard and the operation indicator will light up

To set (increase/decrease) the operating pressure, use the buttons to adjust. After selecting the desired pressure, wait 5 seconds. The value will be set.

Press the button to adjust the operating speed once to set the first operating mode (two divisions on the indicator will be lit), twice to set the second operating mode (three divisions on the indicator will be lit), three times to set the third operating mode (four divisions on the indicator will be lit). Long pressing the button for speed adjustment will show the current speed, voltage and temperature of the pump on the display.

Press the pressure setting buttons simultaneously to lock/unlock the pump. The settings cannot be changed in this mode, which prevents accidental changes to the operating parameters.

Press the power button and the pressure adjustment buttons (up) simultaneously for 3 seconds to reset to factory settings.

8. POSSIBLE ERRORS AND SOLUTIONS

If a fault is detected, the power supply must be disconnected until the fault has been rectified. After the fault has been rectified, reconnect the power supply and start the pump again.

If you are unable to rectify the fault yourself, contact a service centre.

Error code	Problem	Solution
E01	No water in the system	Supply water to the pump inlet
E02	Leakage (frequent pump starts)	Check the water pipe and the water intake appliances
E03	Rotor blocked	Check if there is a foreign object stuck in the pump. Contact the service centre
E04	Motor error	Check the wire, re-insert the plug. Contact the service centre
E05	Inlet water pressure sensor defective	Replace inlet pressure sensor or re-insert plug
E06	Malfunction of water pressure sensor at outlet	Replace sensor or re-insert plug
E08	Error in control unit	Reset the pump to factory settings according to the instructions, if the error cannot be rectified, contact the service centre.
E11	Voltage error	Adjust the voltage according to the range of use, then restart the pump
E12 / E13	Control board overheating	Cool down the pump
E18	Connection error	Check the wire, re-insert the plug. Reset the pump to factory settings according to the instructions, if the error cannot be rectified, contact the service centre
E17 / E21	Control panel and motherboard communication failure	Contact the service centre

Fault	Possible cause	Solution
Motor does not start	Faulty power supply	Check the power supply
	Fuse blown	Replace the fuse
	Motor overheating protection	Pump starts automatically after cooling down
	Motor damaged	Call for service
	Water pressure higher than initial pressure	Pump will automatically start when pressure drops
	Motor error	Call for service
Unstable pump operation	Inlet connection is too small	Enlarge the inlet pipe
	There is not enough water in the inlet	Eliminate the cause
	The liquid level is too low	Try raising fluid level
	Part of the pressure pipe is clogged with impurities	Check and clean
The pump is running, but there is little water and not enough pressure	Incorrect direction of rotation of the pump	Check the direction of rotation of the motor (motor side should be counterclockwise)
	Clogged inlet pipe, filter, check valve or pump casing	Clean debris from the pipe, check valve, filter, or pump housing
	Motor voltage is low or wire is too long	Check voltage at motor end, increase wire cross section
	Wrong model selection	Select the correct model
	Severe impeller wear	Replace impeller
	Mechanical seal leakage	Clean or replace mechanical seals
	Leakage from discharge pipe	Check and repair exhaust pipe
Motor runs but there is no water	The pump casing is not completely filled	Open vent screw, bleed air from pump chamber and inlet port
	water	Replace the impeller
	Impeller damaged	Adjust the inlet so that the bottom halves are submerged in water.
	Water level is below the inlet pipe	Check inlet pipe and connections for leaks
	Air in the inlet pipe	Check and clean the inlet pipe
	Inlet pipe clogged	Check filter and check valve
Pump has abnormal vibration and noise	Leak in the intake pipe	Check the water inlet connection
	Inlet pipe is too small or part of it is clogged	Enlarge or repair the inlet pipe
	There is air in the inlet pipe or pump	Refill with water and bleed out air
	The mechanical part of the pump is worn	Pump repair required
	The base is not securely fastened	Reinforce base, tighten bolts
Frequent starting pump	Water flow rate is too low	Water flow rate needs to be increased

9. STORAGE AND TRANSPORTATION REGULATIONS

The pumps can be transported by any type of closed transport (railway wagons, containers, closed cars) provided that mechanical damage to the unit is prevented and that the rules for the carriage of goods applicable to this type of transport are observed.

Unpacking of the pump after transport at low temperatures should be done after keeping it for a day at a temperature of $(20 \pm 5) ^\circ\text{C}$.

10. ADDITIONAL INFORMATION

Storage period. New equipment can be stored for a minimum of 1 year. Equipment should be thoroughly cleaned before placing in temporary storage. Equipment should be stored in a clean, dry, frost-free place.

Maintenance. The equipment does not require maintenance. Regular inspection every 12,000 h is recommended.

Limit state criteria. The main criterion for the limit state of the product is the failure of one or more component parts, the repair or replacement of which is not foreseen or is not economically feasible.

Disposal. Through proper disposal and proper recycling of this product, environmental damage and adverse effects on human health can be avoided.

1. Public or private disposal companies should be used to dispose of this product and its parts.

2. Further information on proper disposal can be obtained from your municipality, recycling service or where the product was purchased

WARNING! The pump must not be disposed of with household waste!

11. WARRANTY OBLIGATIONS

The manufacturer (seller) guarantees the conformity of the goods to the requirements of the specified normative documents, provided that the consumer complies with the rules set out in the operating documents.

The warranty period of operation of the goods is 2 years from the date of sale. During the warranty period the consumer is entitled to free technical maintenance of the goods, and in case of defects (deviation from the requirements of normative documents) - to free repair or replacement of the goods, or refund of its cost according to the current legislation.

Гарантийные обязательства теряют свою силу в следующих случаях:

- in case of non-compliance with the rules of installation and operation of the product;
- if the service book is not filled in correctly (the service book is valid only in the original, with the date and place of sale, the seller's signature and the stamp of the trade organisation). In the absence or correction of the date of sale or the stamp of the trade organisation, the warranty period is calculated from the date of manufacture indicated on the identification plate on the product body;
- if the identification plate on the product body is missing or damaged;
- in case of damage caused by freezing water;
- damage caused by exceeding the rated water pressure;
- mechanical damage or traces of chemically aggressive substances;
- when technical modifications have been made to the product;
- when using non-original spare parts and consumables;

- unauthorised replacement of original spare parts;
- if the product is used for purposes for which it is not intended.

The buyer is responsible for compliance with the installation and connection regulations. A defective product will only be accepted for repair or replacement if it is complete and in its original packaging. Please retain the packaging until the end of the warranty period.

The manufacturer is liable under the warranty only for the product (water heater) and is not liable for possible damages, direct or indirect, which may be caused to people, animals, property or buildings during operation.

If during the warranty period the product has been operated in violation of the rules or the consumer has not followed the recommendations of the companies carrying out work on the warranty service of the product, the repair is made at the expense of the consumer.

12. CERTIFICATE OF SALE

WARRANTY CARD № _____

Item number

SERIAL NUMBER

SELLER

SALES DATE

I have purchased a product whose characteristics meet my requirements. I am familiar with the technical data, warranty conditions and installation, operation and maintenance instructions. I checked the correctness of filling out the warranty card. I have no complaints about the appearance and configuration.

Seller's stamp

CUSTOMER

Customer's signature

РУКОВОДСТВО ПО ЭКСПЛУАТАЦИИ

Уважаемый покупатель! Поздравляем Вас с приобретением станции водоснабжения А&Р. Данная станция была изготовлена из высококачественных материалов и деталей по новейшим технологиям в соответствии с международными стандартами для обеспечения безопасности использования и надежной работы.

Данное руководство содержит принципиальные указания, которые должны выполняться при монтаже, эксплуатации и техническом обслуживании.

Для исключения несчастных случаев и поломок, необходимо внимательно ознакомиться с данным руководством перед началом эксплуатации изделия. Несоблюдение указаний по технике безопасности, приведенных в настоящей инструкции, может стать причиной поломки насоса или причинить вред здоровью людей. Все работы по монтажу, контролю и техническому обслуживанию насоса должны проводиться только уполномоченным на то и квалифицированным персоналом. Любые работы по монтажу и техническому обслуживанию должны проводиться только после остановки насоса и отключения его от питающей электросети. Указания по технике безопасности, несоблюдение которых может вызвать появление опасности для людей, а также может привести к поломке оборудования и нарушению выполняемых им функций

1. ОБЩИЕ СВЕДЕНИЯ

Станции водоснабжения серии DEFENDER представляют собой станцию с преобразователем частоты на постоянных магнитах и предназначены для водоснабжения квартир и частных домов.

Станция водоснабжения DEFENDER состоит из электродвигателя, уплотнительного седла, направляющего аппарата, рабочего колеса, впускной и выпускной части, вала насоса, механического уплотнения и других основных компонентов. Основные детали насоса, такие как направляющий аппарат, рабочее колесо, впускная и выпускная части, изготовлены из высококачественного пластика, вал насоса изготовлен из нержавеющей стали. Уплотнение вала одностороннее механическое. Принцип работы насосной станции основан на повышении давления жидкости, движущейся от входного патрубка к выходному. Передача электромагнитной энергии от обмоток статора электродвигателя на его ротор приводит к вращению рабочего колеса, соединенного через вал с ротором. Жидкость течет от входного патрубка насоса к центру рабочего колеса и далее вдоль его лопаток. Под действием центробежных сил скорость жидкости увеличивается, в следствии чего растет кинетическая энергия, которая преобразуется в давление на выходном патрубке. Корпус насоса сконструирован таким образом, что жидкость собирается с рабочего колеса в направлении выходного патрубка насоса. Насосная станция поддерживает постоянное давление при переменном расходе благодаря встроенному преобразователю частоты и датчику давления. В случае если требуемое давление в системе будет отличаться от текущего, датчик подает сигнал на интеллектуальный блок управления, чтобы частотный преобразователь адаптировал скорость вращения вала под требуемые условия работы.

Рабочие жидкости: чистая вода.

Общая жесткость перекачиваемой жидкости: не более 3,0 мг-экв/л;

РН - в пределах 6,5-8,5.

Максимальное кол-во пусков в час – 100.

Информация о дате изготовления

Дата изготовления указана на заводской табличке оборудования.

Разъяснения по определению даты изготовления:

Пример: YYmmDDsssssssss = 250101080810001

YY = год изготовления

mm = месяц изготовления

DD = календарный день изготовления

sssssssss = серийный номер

№	Наименование	Материал
1	Корпус станции	PPE+PS+GF30
2	Панель управления	Acrylic
3	Напорный патрубок	PPE+PS+GF30
4	Всасывающий патрубок	PPE+PS+GF30
5	Заливная пробка с обратным клапаном	PPE+PS+GF30
6	Сливная пробка	sus 304
7	Материал рабочих колес	PA66+3%GF

2. ТЕХНИЧЕСКИЕ ХАРАКТЕРИСТИКИ

Характеристика	DEFENDER I	DEFENDER II	DEFENDER III	DEFENDER IV
Артикул	AP118D001	AP118D002	AP118D003	AP118D004
Мощность, (Вт)	100-550	100-750	100-550	500-1100
Номинальное напряжение, В	230			
Частота, Гц	50			
Макс. ток, А	3,8	5,4	5,2	8,6
Макс. напор, м	42	45	45	53
Номинальный напор, м	30	30	30	30
Макс. расход, м3/час	4,5	5,5	5	6
Номинальный расход, м3/час	2	3	3	4
Макс. высота всасывания, м*	2	2	8,5	8,5
Макс. рабочее давление, бар	4,2	4,5	4,5	5,3
Уровень шума, дБ	49			
Диапазон скорости вала, об/мин	4800	4800	5200	3300
Количество рабочих колес, шт	4			
Присоединение, дюйм (вход/выход)	1"			

ВНИМАНИЕ! При установке фильтра на всасывающем трубопроводе, максимальная глубина всасывания может уменьшиться, т. к. в процессе засорения фильтра будет увеличиваться его гидравлическое сопротивление.

Электродвигатель:

- охлаждение встроенным вентилятором,
- 2-полюсный IE4 с постоянными магнитами,
- пылевлагозащита IP44,
- класс изоляции F.

Характеристики рабочей среды:

- температура жидкости: От 2 до +70°C,
- температура окружающей среды: От 0 до +40°C,
- pH 6,5 ...8,5,
- чистая вода, объем твердых частиц менее 0,1%, размер менее 0,2 мм;

Кривые Напора/Расхода представлены на Рисунках 1 и 2:

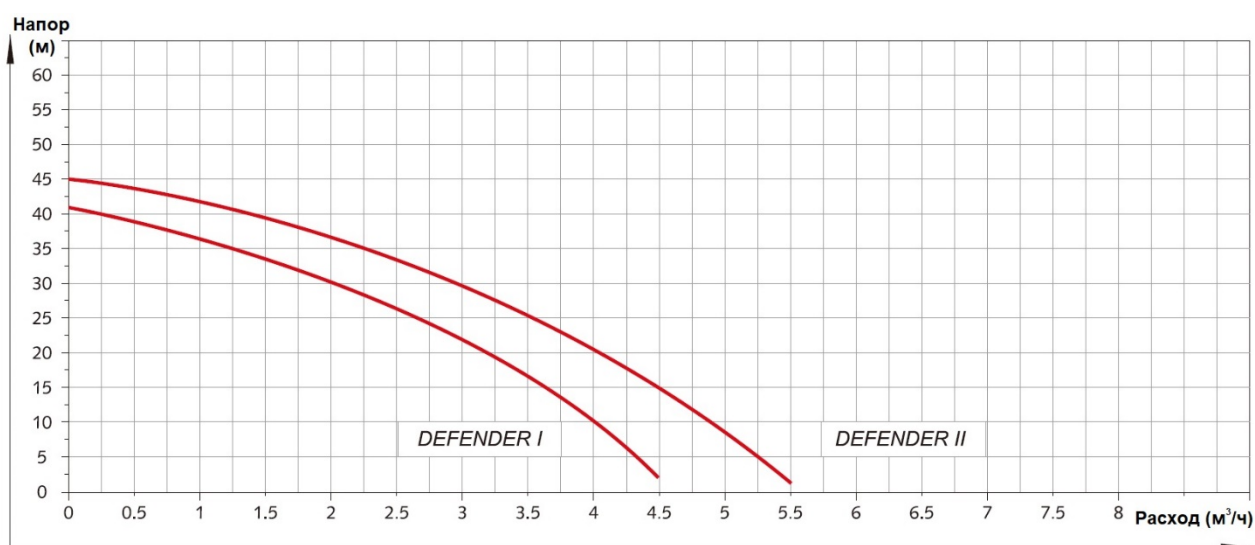


Рисунок 1

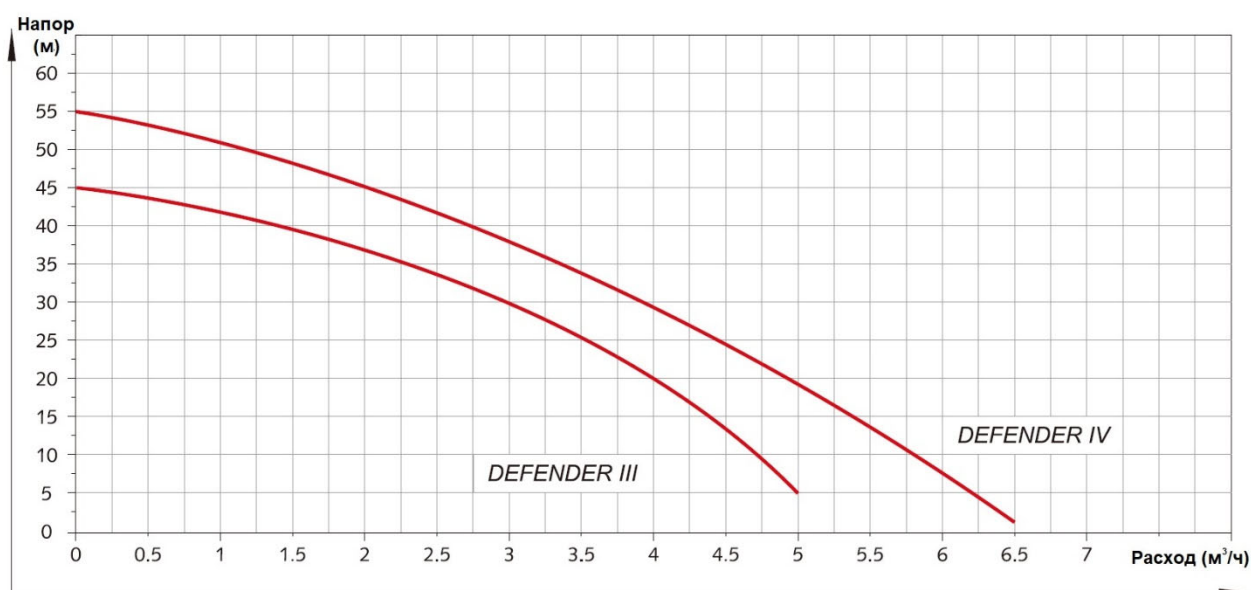


Рисунок 2

3. РАЗМЕРЫ ИЗДЕЛИЙ

Модель	N	E	L1	L2	L	H	M	P	R	S	Схема
DEFENDER I	71	102	170	230	283	219	104	160	172	45	Рисунок 3
DEFENDER II	71	102	170	230	283	219	104	160	172	45	Рисунок 3

Размеры указаны в миллиметрах.

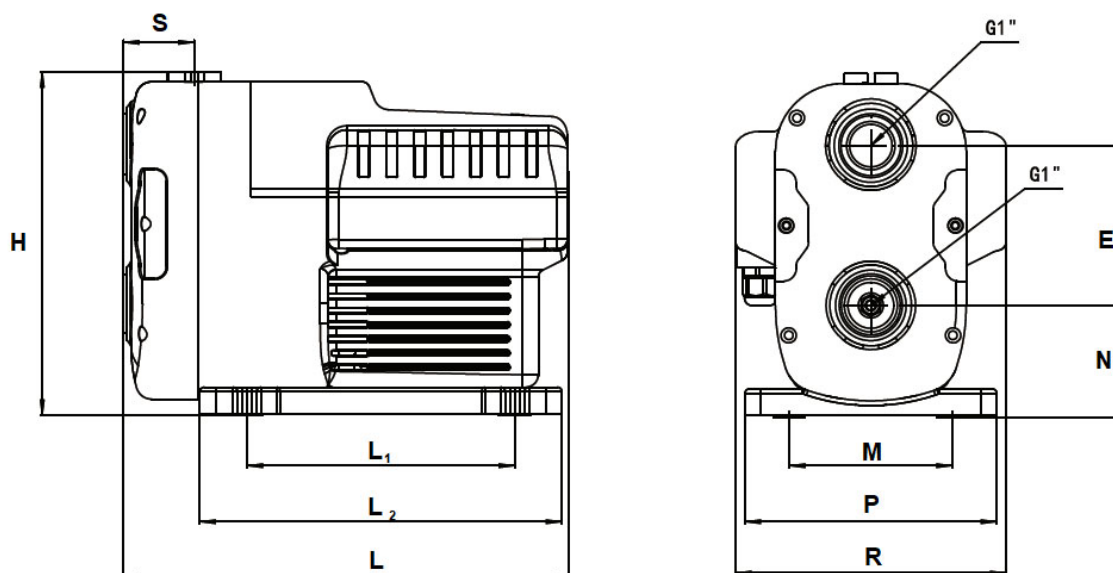


Рисунок 3

Модель	N	E	L1	L2	L3	L	H	M	P	Схема
DEFENDER III	130	244	170	38	256	380	311	170	188	Рисунок 4
DEFENDER IV	127	291	178	62	285	449	358	236	263	Рисунок 4

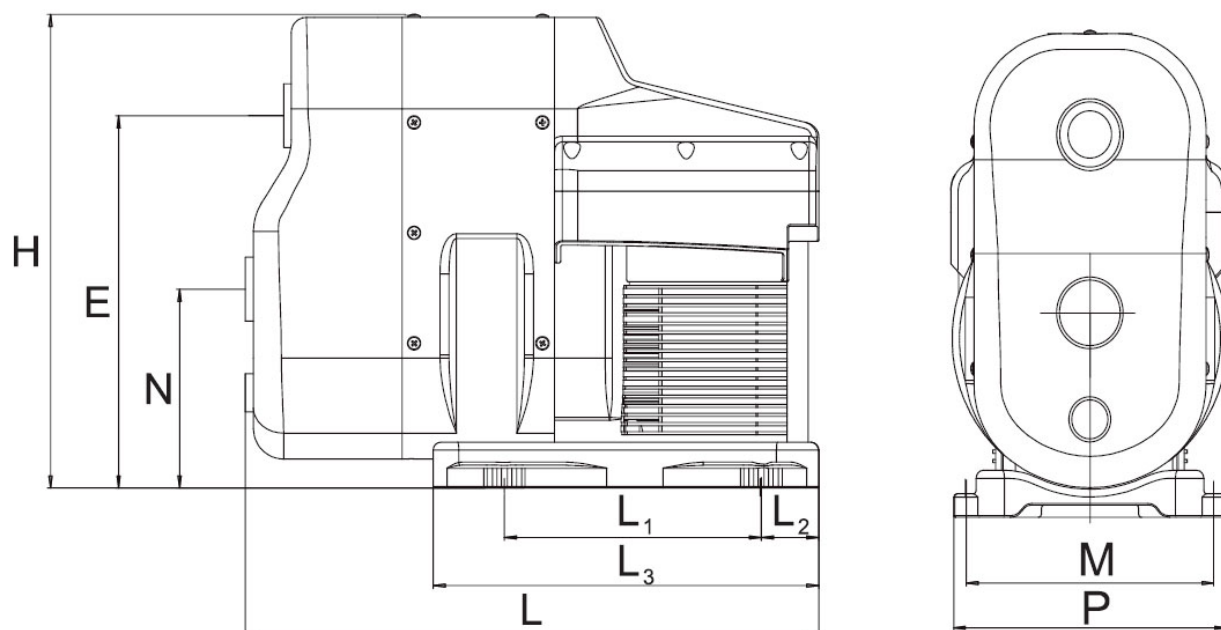


Рисунок 4

4. КОМПЛЕКТНОСТЬ

1	Станция в сборе	- 1 шт.;
2	Фитинги	- 1 комплект
3	Руководство по эксплуатации.	- 1 шт.;
4	Упаковка	- 1 шт.;
5	Кабель с вилкой, 1,5 м	- 1 шт.;

Примечание: изготовитель оставляет за собой право на конструктивные изменения, не ухудшающие качество и эксплуатационные характеристики изделия.

5. ТРЕБОВАНИЯ БЕЗОПАСНОСТИ

ВНИМАНИЕ! Этот прибор не предназначен для использования лицами (а также малолетними детьми) с уменьшенными физическими или умственными психическими возможностями или с недостатком опыта и знаний, за исключением непосредственного присутствия уполномоченного надзорного персонала или лица, ответственного за их безопасность, предоставляющих необходимые инструкции по пользованию прибором. Малолетние дети, чтобы не прибегали к игре с прибором, должны быть под наблюдением уполномоченного персонала.

ВНИМАНИЕ! Станцию 1-го класса защиты необходимо подключать только к электрической сети, имеющей **ЗАЗЕМЛЕНИЕ**.

ВНИМАНИЕ! Перед началом работы проверьте целостность изоляции электрического кабеля. В случае повреждения шнура питания его следует заменить специальным шнуром или комплектом, предоставленным производителем или сервисной службой.

ВНИМАНИЕ! Установку, техническое обслуживание и ремонт должен проводить только квалифицированный мастер в соответствии с требованиями данной инструкции по использованию.

ВНИМАНИЕ! С появлением любых неисправностей в работе насоса необходимо отключить его от электросети и вызвать специалиста для устранения неполадок.

ЗАПРЕЩАЕТСЯ! Эксплуатация насоса подключенного к электросети (Рисунок 5).



Рисунок 5

ЗАПРЕЩАЕТСЯ! Использовать для подключения переходники, удлинители и временно проложенные электролинии.

ЗАПРЕЩАЕТСЯ! Устанавливать станцию в помещениях, насыщенных агрессивными парами, с резкими перепадами температуры, влажности, а также в запыленных и грязных помещениях.

Производитель не несет ответственность за ущерб для здоровья и собственности, если они вызваны нарушением правил установки и эксплуатации.

6. МОНТАЖ

ВНИМАНИЕ! Данная станция водоснабжения не предназначена для установки на абиссинскую скважину, а производитель не гарантирует стабильную и корректную работу насоса при установке на данной скважине. Некорректная работа или выход из строя данной насосной установки, которая была установлена на абиссинской скважине, не является гарантийным случаем.

ПРЕДУПРЕЖДЕНИЕ Убедитесь в том, что система, в которой устанавливается станция водоснабжения DEFENDER, рассчитана на максимальное давление данной насосной установки. Максимальное давление на входе зависит от напора в фактической рабочей точке. Сумма давления на входе и напора не должна превышать максимального давления системы. Для защиты насосной установки рекомендуется установить предохранительный клапан, чтобы давление на выходе насосной станции не превышало максимального давления системы.

Перед установкой насоса необходимо проверить систему трубопроводов на предмет установки обратного клапана для предотвращения обратного потока жидкости. Станция должна быть закреплена на полу и устойчива после установки.

ЗАПРЕЩАЕТСЯ! Устанавливать станцию водоснабжения частично или полностью в воде. При установке насоса на улице убедитесь, что станция укрыта от воздействия солнечного света, дождя (Рисунок 6).

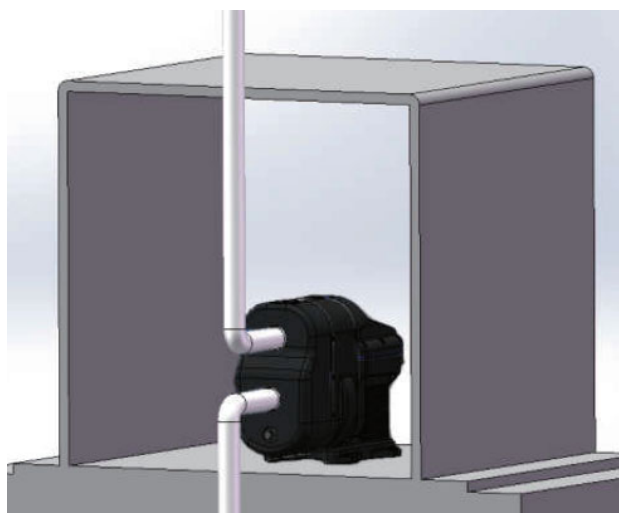


Рисунок 6

Станция должна быть установлена в хорошо проветриваемом и защищенном от замерзания месте, чтобы было достаточно воздуха вокруг охлаждающего вентилятора двигателя, насоса и двигателя на расстоянии не менее 25 мм от препятствий. Чтобы свести к минимуму потери на трение на входе, входной патрубок должен быть как можно короче.

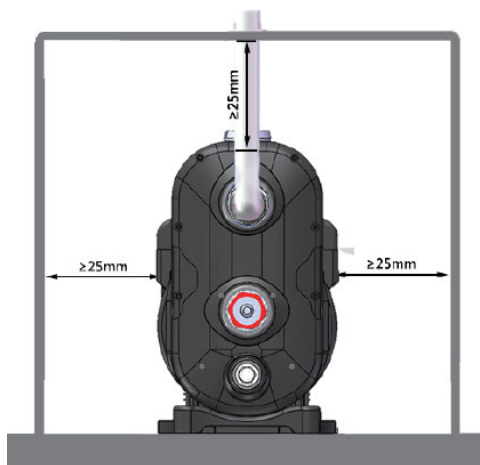


Рисунок 7

Давление воды на входе должно быть в диапазоне от 0,12 до 0,35 Мпа.

Перед поворотом выпускная труба должна быть на 600 мм выше входной, а длина входной трубы не должна превышать максимальный диапазон всасывания насоса (Рисунок 8).

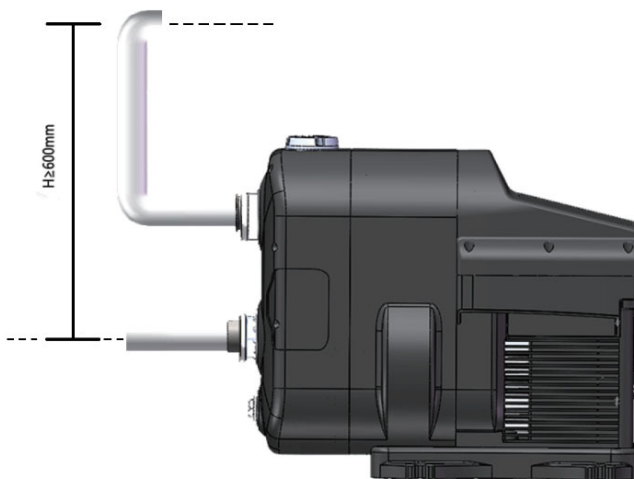


Рисунок 8

ВНИМАНИЕ! Для повышения давления водопроводной воды необходимо установить редукционный клапан на всасывающем трубопроводе, для защиты от превышения давления на входе, чтобы в сумме с максимальным развиваемым установкой водоснабжения напором, давление на выходе насоса не превышало максимально допустимого давления - 10 бар. На напорном патрубке необходимо установить предохранительный клапан, для защиты насоса при превышении давления.

Обратите внимание на то, чтобы не переносить вес трубопровода на станцию во избежание деформации насоса. Перед установкой насоса входные трубы должны быть чистыми, если нет гарантии отсутствия твердых частиц в трубе, необходимо установить фильтрующую сетку перед входом на расстоянии 0,5...1 м, чтобы обеспечить нормальную работу насоса. При установке впускной трубы не допускайте образования воздушного мешка.

Когда станция установлен выше уровня жидкости (в диапазоне допустимой высоты всасывания), на стороне всасывающей трубы должен быть установлен нижний клапан, а на выпускной трубе установлено отверстие для заливного винта для заливки жидкости перед запуском насоса.

Проверьте соответствие напряжения и частоты сети электропитания значениям, указанным на шильдике изделия. Несоответствие параметров электропитания может полностью вывести электродвигатель из строя. Во избежание травм и поражения электрическим током все работы по подключению к сети электропитания, включая устройство заземления, должны проводиться на холодном насосе (не выше +40 °С) и при отключенном электропитании. Соединительные провода должны быть рассчитаны на номинальную мощность и оснащены соответствующими плавкими предохранителями, подключение насоса к сети должно выполняться к защищенному разъему.

Станция оборудована кабелем с вилкой и заземлением. Если заводской длины кабеля вам недостаточно, пожалуйста, используйте только медный трехжильный кабель с сечением жил и предохранителем, указанными в таблице ниже:

Длина провода насоса	0-50 метров	50-100 метров	100-150 метров
Сечение кабеля	1,5 мм ²	2,0 мм ²	2,5 мм ²
Предохранитель	10А	15А	18А

Электрическое подключение должно быть выполнено через штепсельное соединение или многополюсный выключатель-разъединитель с минимальным расстоянием между контактами 3 мм.

Штепсельная розетка должна быть:

- стационарная;
- иметь контакт заземления;
- использоваться только для питания насоса;
- защищена от проникновения влаги.

Перед подключением проверьте напряжение в питающей электрической сети и контролируйте его в процессе дальнейшей эксплуатации насоса.

7 ВВОД В ЭКСПЛУАТАЦИЮ

Перед пуском станции водоснабжения выпустите воздух из корпуса и залейте туда воду через заливное отверстие в верхней части насоса. Плотнo закрутите крышку (Рисунок 9).

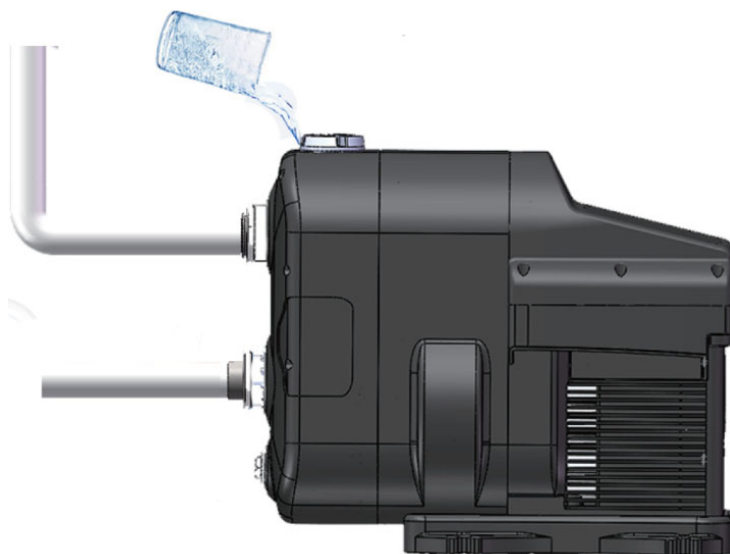










Рисунок 9

7.1 ОБОЗНАЧЕНИЯ ПАНЕЛИ УПРАВЛЕНИЯ DEFENDER I & II

Символ на дисплее	Обозначение	Символ на дисплее	Обозначение
	Индикатор работы		Индикатор защиты напряжения
	Индикатор ошибки мотора		Индикатор утечки
	Индикатор недостатка воды		Индикатор ошибки давление на выходе
	Кнопка включения		Кнопки для настройки

На экране отображаются следующие показатели (Рисунок 10):

1. Заданное давление, бар;
2. Текущее давление, бар.

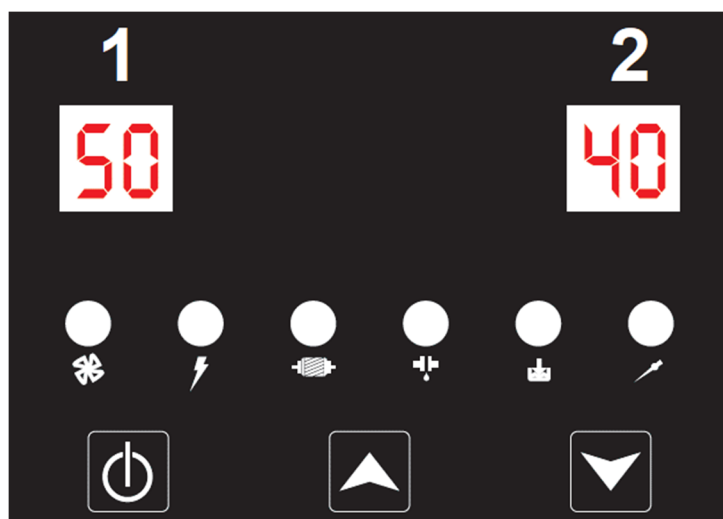


Рисунок 10

7.2 ЭКСПЛУАТАЦИЯ DEFENDER I & II







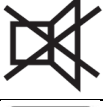






Для включения/выключения станции водоснабжения нажмите на кнопку включения. Загорится табло и индикатор работы. Если станция водоснабжения включена и текущее давление меньше установленного, станция начнет работать.

Для установки (увеличения/уменьшения) рабочего давления используйте кнопки для настройки. После выбора требуемого давления подождите 5 секунд. Значение будет установлено.

Нажмите одновременно на кнопку включения и кнопки для настройки (вверх) в течение 3 секунд для сброса до заводских настроек.

Нажмите одновременно на кнопки для настройки чтобы заблокировать или разблокировать насос. В таком режиме нельзя менять настройки, что предотвращает случайное изменение рабочих параметров.

7.3 ОБОЗНАЧЕНИЯ ПАНЕЛИ УПРАВЛЕНИЯ DEFENDER III & IV

Символ на дисплее	Обозначение	Символ на дисплее	Обозначение
	Индикатор ошибки давление на выходе		Индикатор защиты напряжения
	Индикатор утечки		Индикатор температурной защиты
	Индикатор недостатка воды		Индикатор режимов работы
	Индикатор состояния звуковых уведомлений		WiFi подключение недоступно в данных моделях
	Кнопка включения		Индикатор работы Выкл / Вкл
	Кнопки для настройки		Кнопка для регулировки скорости работы
	Индикатор блокировки		

На экране отображаются следующие показатели (Рисунок 11):

1. Текущая мощность, Вт;
2. Текущая температура, °C / скорость вала, об/мин / напряжение В;
3. Заданное давление, бар;
4. Фактическое давление, бар.

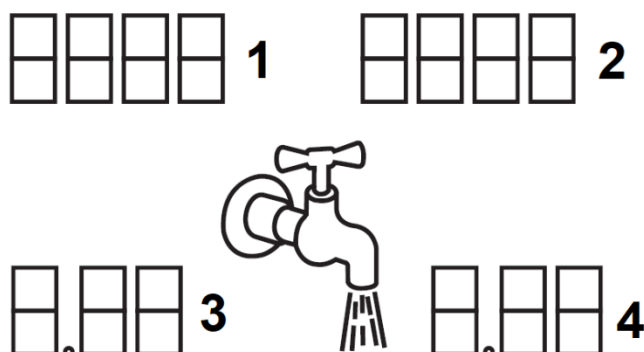


Рисунок 11

7.4 ЭКСПЛУАТАЦИЯ DEFENDER III & IV

Для включения/выключения станции водоснабжения нажмите на кнопку включения. Загорится табло и индикатор работы

Для установки (увеличения/уменьшения) рабочего давления используйте кнопки для настройки. После выбора требуемого давления подождите 5 секунд. Значение будет установлено.

Нажмите на кнопку для регулировки скорости работы один раз, чтобы установить первый режим работы (будет гореть два деления на индикаторе), два раза, чтобы установить второй режим работы (будет гореть три деления на индикаторе), три раза, чтобы установить третий режим работы (будет гореть четыре деления на индикаторе). Долгое зажатие кнопки для регулировки скорости покажет на табло текущую скорость, напряжение и температуру насоса.

Нажмите одновременно на кнопки для настройки давления чтобы заблокировать/разблокировать насос. В таком режиме нельзя менять настройки, что предотвращает случайное изменение рабочих параметров.

Нажмите одновременно на кнопку включения и кнопки для настройки давления (вверх) в течение 3 секунд для сброса до заводских настроек.

8 ВОЗМОЖНЫЕ НЕИСПРАВНОСТИ И МЕТОДЫ ИХ УСТРАНЕНИЯ

При обнаружении неисправности необходимо отключить электропитание до устранения неполадок. После устранения неисправности снова подключите питание и запустите насос.

Если Вы не можете устранить неисправность самостоятельно, обратитесь в сервисный центр.

Код ошибки	Описание/Проблема	Решение
E01	Отсутствие воды в системы	Подать на вход насоса воду
E02	Утечка (частые запуски насоса)	Проверьте водопроводную трубу и приборы водоразбора
E03	Ротор заблокирован	Проверьте, не застрял ли в насосе посторонний предмет. Обратитесь в сервисный центр
E04	Ошибка двигателя	Проверьте провод, снова вставьте вилку. Обратитесь в сервисный центр
E05	Неисправность датчика вдавления воды на входе	Замените датчик давления на входе или снова вставьте заглушку
E06	Неисправность датчика вдавления воды на выходе	Замените датчик или повторно подключите вилку
E08	Ошибка в блоке управления	Сбросьте станцию до заводских настроек согласно инструкции, если ошибку не удалось устранить, обратитесь в сервисный центр
E11	Ошибка напряжения	Отрегулируйте напряжение в соответствии с диапазоном использования, затем перезапустите насос
E12 / E13	Перегрев платы управления	Охладить насос

E18	Ошибка подключения	Проверьте провод, снова вставьте вилку. Сбросьте станцию до заводских настроек согласно инструкции, если ошибку не удалось устранить, обратитесь в сервисный центр
E17 / E21	Неисправность связи панели управления и материнской платы	Обратитесь в сервисный центр

Неисправность	Возможная причина	Решение
Не запускается электродвигатель	Неисправность источника питания	Проверьте источник питания
	Сгорел предохранитель	Замените предохранитель
	Защита двигателя от перегрева	После охлаждения станция автоматически запускается
	Двигатель поврежден	Обратиться в сервисную службу
	Давление воды выше, чем начальное давление	Станция автоматически запустится, когда давление упадет
	Ошибка двигателя	Обратиться в сервисную службу
Нестабильная работа насоса	Впускной патрубок слишком мал	Увеличить впускной патрубок
	На входе недостаточно воды	Устранить причину
	Уровень жидкости слишком низкий	Попробуйте поднять уровень жидкости
	Часть напорной трубы забивается примесями	Проверить и очистить
Станция работает, но воды мало, а давление недостаточное	Неправильное направление вращения насоса	Проверьте направление вращения двигателя (со стороны двигателя должно быть вращение против часовой стрелки)
	Забита впускная труба, фильтр, обратный клапан или корпус насоса	Очистите трубу, обратный клапан, фильтр или корпус насоса от мусора
	Низкое напряжение двигателя или провод слишком длинный	Проверьте напряжение на торцевой части двигателя, увеличьте сечение провода
	Неправильный выбор модели	Выберите подходящую модель
	Серьезный износ крыльчатки	Замените крыльчатку
	Утечка механического уплотнения	Очистите или замените механические уплотнения
	Утечка из выпускной трубы	Проверьте и отремонтируйте выпускную трубу
Мотор работает, но воды нет	Корпус насоса не полностью заполнен водой	Откройте вентиляционный винт, удалите воздух из камеры насоса и впускного патрубка

	Повреждение крыльчатки	Замените крыльчатку
	Уровень воды ниже впускной трубы	Отрегулируйте впускной патрубок таким образом, чтобы нижняя часть была погружена в воду
	Во впускную трубу попадает воздух	Проверьте впускную трубу и герметичность соединений
	Впускной патрубок засорен	Проверьте и очистите впускной патрубок
	Фильтр на всасывающем патрубке или обратный клапан в закрытом положении	Проверьте фильтр и обратный клапан
Станция имеет ненормальную вибрацию и шум	Утечка во впускной трубе	Проверьте патрубок для подвода воды
	Впускной патрубок слишком мал или его часть забита	Увеличьте или отремонтируйте впускной трубопровод
	Во впускной трубе или насосе имеется воздух	Снова залейте воду и удалите воздух
	Механическая часть насоса изношена	Необходим ремонт насоса
	Основание закреплено недостаточно прочно	Укрепите основание, затяните болты
Частый запуск насоса	Расход воды слишком мал	Необходимо увеличение расхода воды

9. ПРАВИЛА ХРАНЕНИЯ И ТРАНСПОРТИРОВКИ

Условия транспортирования насосов в зависимости от воздействия механических факторов - по группе С ГОСТ 23170.

Транспортировка насосов может осуществляться любым видом закрытого транспорта (железнодорожные вагоны, контейнеры, закрытые автомобили) при условии предотвращения механических повреждений аппарата и при соблюдении правил перевозки грузов, действующих на данном виде транспорта.

При погрузке насоса на транспортное средство и при его разгрузке должны выполняться требования ГОСТ 12.3.009.

Распаковка насоса после транспортировки при низких температурах нужно проводить после выдержки его в течение суток при температуре $(20 \pm 5) ^\circ\text{C}$.

Условия хранения насоса по воздействию климатических факторов относятся к группе 1.2 по ГОСТ 15150.

10. ДОПОЛНИТЕЛЬНАЯ ИНФОРМАЦИЯ

Срок хранения. Новое оборудование может храниться как минимум в течение 1 года. Оборудование должно быть тщательно очищено перед помещением на временное хранение. Оборудование следует хранить в чистом, сухом, защищенном от замерзания месте.

Техническое обслуживание. Оборудование не требует обслуживания. Рекомендуется регулярная проверка каждые 12 000 ч.

Критерии предельных состояний. Основным критерием предельного состояния изделия является отказ одной или нескольких составных частей, ремонт или замена которых не предусмотрены или является экономически нецелесообразным.

Утилизация. Благодаря правильной утилизации и надлежащему вторичному использованию данного изделия можно избежать нанесения ущерба окружающей среде и негативного воздействия на здоровье людей.

1. Для утилизации данного изделия, а также его его частей следует привлекать государственные или частные предприятия по утилизации.
2. Дополнительную информацию о надлежащей утилизации можно получить в муниципалитете, службе утилизации или там, где изделие было куплено

ВНИМАНИЕ! Станция не подлежит утилизации вместе с бытовыми отходами!

11. ГАРАНТИЙНЫЕ ОБЯЗАТЕЛЬСТВА

Производитель (продавец) гарантирует соответствие товара требованиям указанных нормативных документов при соблюдении потребителем правил, изложенных в эксплуатационных документах.

Гарантийный срок эксплуатации товара **2 года** от даты продажи. В течение гарантийного срока эксплуатации потребитель имеет право на бесплатное техническое обслуживание товара, а в случае обнаружения недостатков (отклонение от требований нормативных документов) - на бесплатный ремонт, или замену товара, или возврата его стоимости согласно действующему законодательству.

Гарантийные обязательства теряют свою силу в следующих случаях:

- при несоблюдении правил установки и эксплуатации изделия;
- при отсутствии правильно заполненной сервисной книжки (сервисная книжка действительна только в оригинале, с отметкой о дате и месте продажи, подписью продавца и штампом торговой организации). При отсутствии или исправлении даты продажи или печати торговой организации срок гарантии исчисляется с даты изготовления, указанные на заводской идентификационной табличке на корпусе изделия;
- при отсутствии заводской идентификационной таблички на корпусе изделия или его повреждения;
- при повреждениях, вызванных замерзанием воды;
- при повреждениях, вызванных превышением номинального давления воды;
- при наличии механических повреждений или следов действия химически агрессивных веществ;
- при внесении технических изменений в изделие;
- при использовании неоригинальных запчастей и расходных материалов;
- при несанкционированной замене оригинальных запчастей;
- при использовании изделия в целях, для которых он не предназначен.

Ответственность за соблюдением правил установки и подключения несет покупатель. Дефектное изделие принимается в ремонт или на замену только комплектным, в оригинальной упаковке. Просим сохранять упаковку до окончания срока гарантии.

Фирма-производитель несет ответственность по гарантийным обязательствам только за изделие (водонагреватель) и не несет ответственности за возможные убытки, прямые или косвенные, которые могут быть нанесены людям, животным, имуществу или зданиям в процессе эксплуатации.

В случае если в течение гарантийного срока товар эксплуатировался с нарушением правил или потребитель не выполнял рекомендаций предприятий, выполняющих работы по гарантийному обслуживанию товара, ремонт производится за счет потребителя.

12. СВИДЕТЕЛЬСТВО О ПРОДАЖЕ

ГАРАНТИЙНЫЙ ТАЛОН № _____

НАИМЕНОВАНИЕ

СЕРИЙНЫЙ НОМЕР

ПРОДАВЕЦ

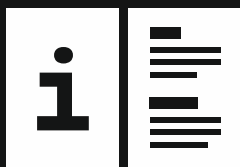
ДАТА ПРОДАЖИ

Мною был приобретен товар, характеристики которого соответствуют моим требованиям. С техническими данными, гарантийными условиями и инструкциями по монтажу, эксплуатации и уходу ознакомлен. Правильность заполнения гарантийного талона проверил. Претензий к внешнему виду и комплектации не имею.

М.П.

ПОКУПАТЕЛЬ

ПОДПИСЬ



view all product
manuals at
mymanual.info



Импортер / поставщик в Республике Беларусь: ООО «ТД Комплект», 220103, г. Минск, ул. Кнорина, 50-302А. Тел.: +375 (17) 511-33-33. ООО «Инструменткомплект Борисов», 222518, г. Борисов, ул. Демина, д.16. Тел.: +375 (177) 72-00-00.

Импортер / поставщик в Российской Федерации: ООО «Садовая техника и инструменты», 105082, г. Москва, ул. Большая Почтовая, дом 40, строение 1, этаж 3, комната 7А. Тел.: +7 (495) 748-50-80.

Импортер / поставщик в Республике Казахстан: ТОО «ECO Group Kazakhstan (ЭКО Групп Казахстан)», г. Алматы, Турксибский р-н, ул. Бекмаханова, 92А. Тел.: +7 (771) 760-02-76

Manufacturer / Производитель: ECO GROUP HONG KONG LIMITED. Unit G15, Tin Hau Apple SOLO, 14 King's Road, Tin Hau, Hong Kong,